

GUARDABARROS TRASERO ADAPTABLE A - REAR MUDGUARD ADAPTABLE TO - BMW R1200GS '18-/ R1200GS Exclusive '18-/ R1200GS Rallye '18-/ R1250GS '18-'19/ R1250GS HP '18-'19/ R1250GS Adventure '18-'19



Ref.: 1947 J
 (color negro / black colour)



Ref.: 1947 C
 (color carbono / carbon look)

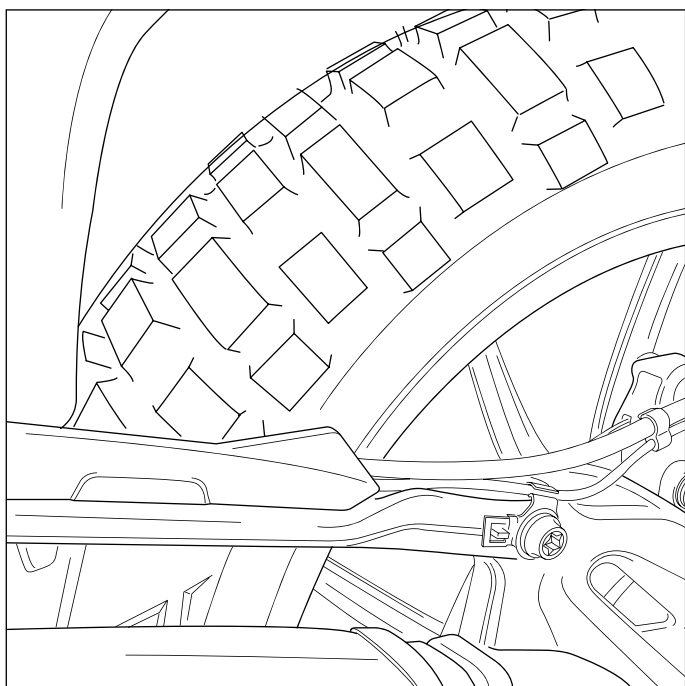


<p>1 persona 1 person</p>	<p>30 min</p>	Fácil - Easy
		Media-Intermediate
		Difícil-Difficult

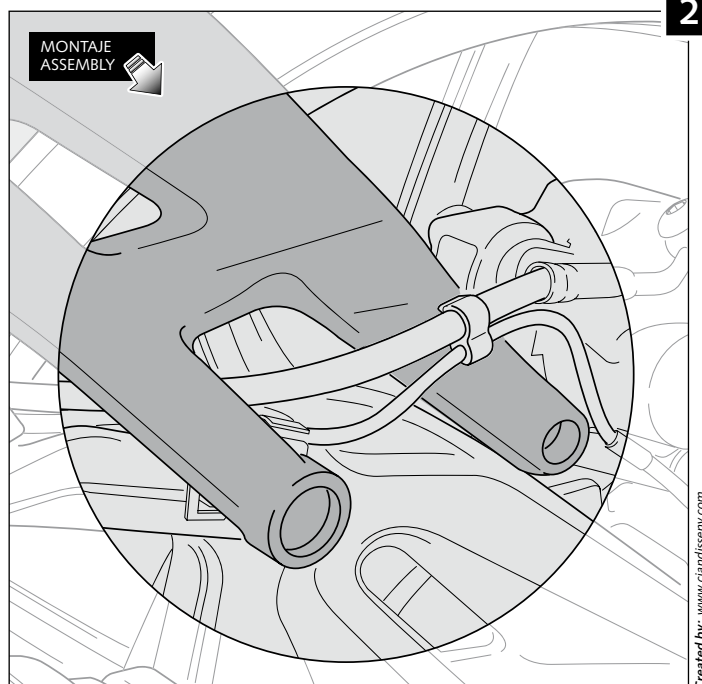
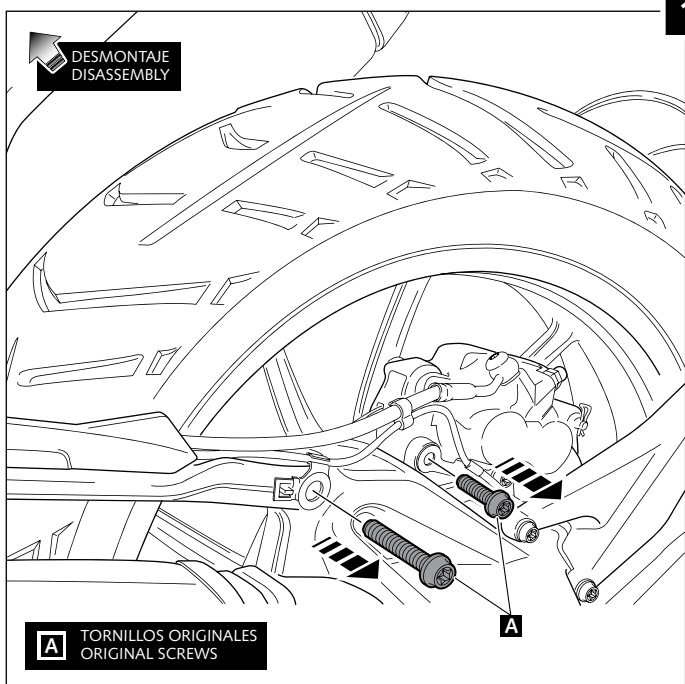
ID	PIEZA / PART	DESCRIPCIÓN	DESCRIPTION	QTY	REF.
1		Guardabarros	Mudguard	1	6352C/JM3
2		Soporte aluminio	Support aluminum	1	SOPORFUN-6352-7
3		Silemblock	Well nut	3	SILENBGONE--064
4		Tornillo Allen M5x11 ISO 7380	M5x11 ISO 7380 Allen screw	3	TORNI-AI----520
5		Casquillo con valona M5	M5 bush with flange	3	CASQUI-----517
6		Arandela Grover DIN 127 M5	DIN 127 M5 Grover washer	3	ARAND-G5----506
7		Tornillo Allen M8x35 DIN 912 12.9	M8x35 DIN 912 12.9 Allen screw	1	TORNI-D912--837
8		Tornillo Allen M10x75 DIN 912 12.9	M10x75 DIN 912 12.9 Allen screw	1	TORNI-D912--669
9		Casquillo Ø int. 10,5 Ø ext.-(1)15 x Ø ext.-(2)21x19,5	Arrowhead Øinner 10,5 Øouter-(1)15xØouter-(2)21x19,5	1	CASQUI-M-----604
10		Casquillo de fricción igus Ø int. 15 x Ø ext. 17x15	Arrowhead igus Ø inner 15 x Ø outer 17x15	1	COJIN-P-WSM-517
11		Tapón tornillo M5 ISO 7380	M5 ISO 7380 Allen screw cap	2	TAPON-----85

GUARDABARROS TRASERO ADAPTABLE A - REAR MUDGUARD ADAPTABLE TO - BMW R1200GS '18-/ R1200GS Exclusive '18-/ R1200GS Rallye '18-/ R1250GS '18-'19/ R1250GS HP '18-'19/ R1250GS Adventure '18-'19

INSTRUCCIONES DE MONTAJE - MOUNTING INSTRUCTIONS - MONTAGEANLEITUNG



- PARA NEUMÁTICOS OFF-ROAD, CONSULTAR COMPATIBILIDAD EN info@puig.tv
- FOR OFF-ROAD TIRES, PLEASE CHECK SUITABILITY AT info@puig.tv OR info@puigusa.com
- OFF-ROAD Reifen Verträglichkeit zu prüfen, info@puig.tv



**GUARDABARROS TRASERO ADAPTABLE A - REAR MUDGUARD ADAPTABLE TO -
 BMW R1200GS '18-/ R1200GS Exclusive '18-/
 R1200GS Rallye '18-/ R1250GS '18-'19/
 R1250GS HP '18-'19/ R1250GS Adventure '18-'19**

INSTRUCCIONES DE MONTAJE - MOUNTING INSTRUCTIONS - MONTAGEANLEITUNG

3

MONTAJE ASSEMBLY

7
8
9
10

- Par de apriete tornillos 7 (24Nm) y 8 (56 Nm).
 - Tightening torque for screws n° 7 (24Nm) and 8 (56 Nm).
 - Anzugsdrehmoment Schrauben N° 7 (24Nm) und 8 (56 Nm).

4

MONTAJE ASSEMBLY

4
6
11

SE RECOMIENDA REALIZAR EL REAPRIETE DE LA TORNILLERIA CADA 1000 Km
 IT IS RECOMMENDED TO CHECK TIGHTENING OF THE BOLTS EVERY 1000 Km.

Created by: www.clandisceny.com